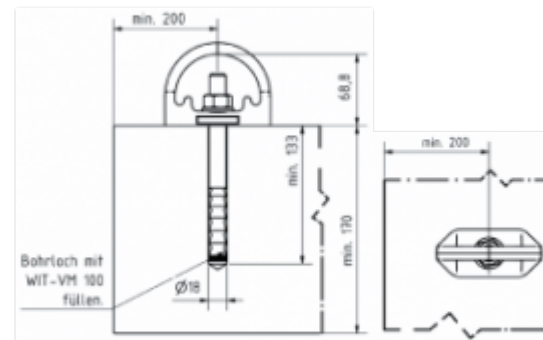
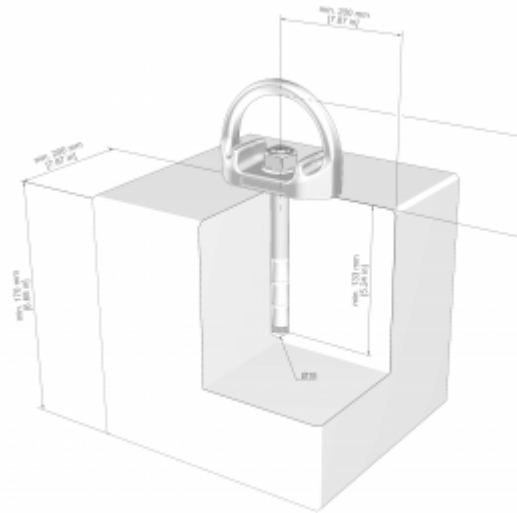


## Data sheet

# D-BOLT TYP 44 (AP-063-GE)



## GENERAL

Art. no.:	AP-TYP-44
EAN:	4030281277484
Standard:	EAD 331072-00-0601

E-class number:	40-02-01-90
Customs no.:	73269098

## Data sheet

### **D-BOLT TYP 44 (AP-063-GE)**

#### DIMENSIONS

Weight: 0,88 kg

---

The D-BOLT, AP-TYP-44 is made of stainless steel and has a European approval according to the Construction Products Regulation EU-305/2011 from the German Institute for Construction Technology (DIBt). The D-BOLT TYP-44 is also tested according to EN 795 and CEN/TS 16415. The scope of delivery includes an adhesive anchor with external thread for gluing in with approved adhesive. Slings of loads, use for material transport or as a safety device in rope access technology, are not the subject of the tests and are outside the scope of application.